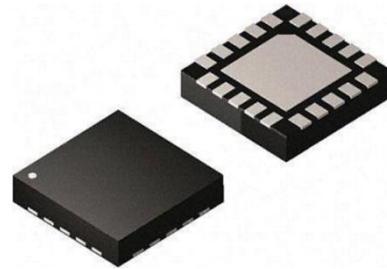


Description

The H8G2527M10P is a LDMOS MMIC Integrated Asymmetrical Doherty based on 2-Stage with 10W saturated output power covering frequency range from 2.5 - 2.7 GHz.

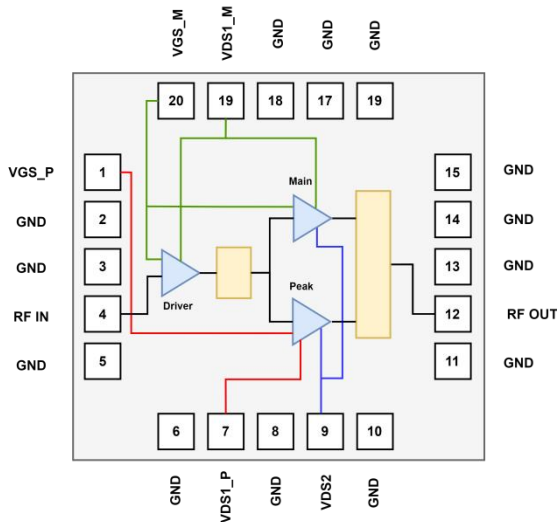
The amplifier is 50 Ω Input/Output matched with a small compact footprint 7x7 mm which makes it ideal for integration.



20 Pin LGA 7x7 mm Plastic Package



Block Diagram



H8G2527M10P Block Diagram

Features

- Operating Frequency Range: 2.5 - 2.7 GHz
- Operating Drain Voltage: +28V
- Saturation Output Power: 10W
- Power Average: 1.25W
- 50 Ω Input/Output matched
- Integrated Input Divider
- Integrated Output Combiner
- Integrated Asymmetrical Doherty Final Stage
- High Efficiency: 40.3%@2.35GHz, WCDMA
- High Gain: 26.9dB@2.35GHz, WCDMA
- Small footprint package: LGA 7x7 mm

Applications

- 3GPP 5G NR FR1 n7/38 and 4G-LTE B7/38
- Power Amplifier for Small Cells
- Driver Amplifier for Micro and Macro Base Stations
- Active Antenna Array for 5G mMIMO
- Repeaters/DAS
- Mobile Infrastructure

Ordering Information

Part Number	Description
H8G2527M10P	Reel Package
H8G2527M10PEVB	2.5 - 2.7 GHz EVB

Typical Performance

RF Characteristics (Pulsed CW)

Freq (GHz)	P3dB (dBm)	Gain (dB)	Eff (%)	IRL (dB)
2.500	40.0	27.5	38.0	17.7
2.600	40.3	27.2	41.1	17.4
2.700	40.0	27.0	39.7	18.1

Test conditions unless otherwise noted: 25 °C, $V_{DD} = +28V_{dc}$, $I_{DQ} = 28mA$, $V_{gsp} = V_{gsm} - 0.58V$, Pulse Width = 100us, Duty Cycle = 10% test on WATECH Application Board

RF Characteristics (WCDMA)

Freq (GHz)	Gain (dB)	Eff (%)	IRL (dB)	ACPR* @5MHz (dBc)	ACPR* @10MHz (dBc)
2.500	26.7	38.0	19.9	-29.4	-42.6
2.600	26.6	39.5	19.5	-30.5	-42.9
2.700	26.5	38.1	19.8	-31.1	-43.5

Test conditions unless otherwise noted: 25 °C, $V_{DD} = +28V_{dc}$, $I_{DQ} = 28mA$, $V_{gsp} = V_{gsm} - 0.58V$, $PA_{AVG} = 31 dBm$
1C-WCDMA 5MHz Signal, 7.2 dB PAR @ 0.01% CCDF test on WATECH Application Board

*Uncorrected DPD

Absolute Maximum Ratings

Parameter	Range/Value	Unit
Drain voltage (V_{DSS})	-0.5 to +65	V
Gate voltage (V_{GS})	-5 to +10	V
Drain voltage (V_{DD})	0 to +28	V
Storage Temperature (T_{STG})	-55 to +150	°C
Case Temperature (T_C)	-40 to +125	°C
Junction Temperature (T_J)	-40 to +175	°C

Electrical Specification

DC Characteristics

Parameter	Conditions	Min	Typ	Max	Unit
Breakdown Voltage $V_{(BR)DSS}$	$V_{gs}=0V, I_{ds}=100\mu A$	65	-	-	V
Gate-Source Threshold Voltage $V_{GS(th)}$	$V_{gs}=V_{ds}, I_{ds}=5.2\mu A$	1.2	-	1.6	V
Drain Leakage Current I_{DSS}	$V_{gs}=0V, V_{ds}=28V$	-	-	0.5	μA
Gate Leakage Current I_{GSS}	$V_{gs}=5V, V_{ds}=0V$	-	-	0.05	μA

RF Characteristics (Pulsed CW)

Parameter	Freq (GHz)	Min	Typ.	Max	Unit
P3dB	2.300	39.5	40.2	-	dBm

Test conditions unless otherwise noted: 25 °C, $V_{DD} = +28Vdc$, $I_{DQ} = 28mA$, $V_{gsp} = V_{gsm}-0.58V$, Pulse Width = 100us, Duty Cycle = 10% test on WATECH Production Board

RF Characteristics (WCDMA)

Parameter	Conditions	Min	Typ.	Max	Unit
Frequency		2.300			GHz
Gain	$PAVG = 31 dBm$	25.5	27	-	dB
Eff	$PAVG = 31 dBm$	37.5	40	-	%
IRL	$PAVG = 31 dBm$	10	13	-	dB
ACPR@5MHz*	$PAVG = 31 dBm$	-	-28.5	-26.5	dBc

Test conditions unless otherwise noted: 25 °C, $V_{DD}=+28Vdc$, $I_{DQ} = 28mA$, $V_{gsp} = V_{gsm}-0.58V$, 1C-WCDMA 5MHz Signal, 7.2 dB PAR @ 0.01% CCDF test on WATECH Production Board

*Uncorrected DPD

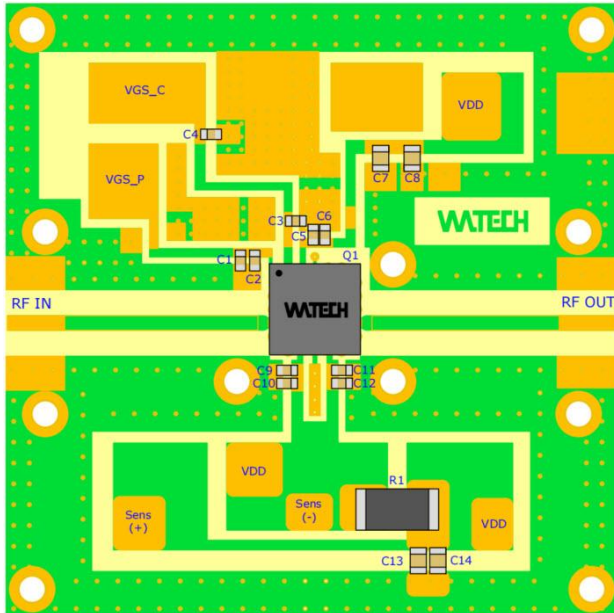
Load Mismatch Test

Condition	Test Result
VSWR=10:1, at all Phase Angles, $V_{DD}=+28Vdc$, $I_{DQ} = 28 mA$, $V_{gsp}=V_{gsm}-0.58V$, $PAVG = 34 dBm$, Frequency 2.500 - 2700 GHz test on WATECH Application Board	No Device Degradation

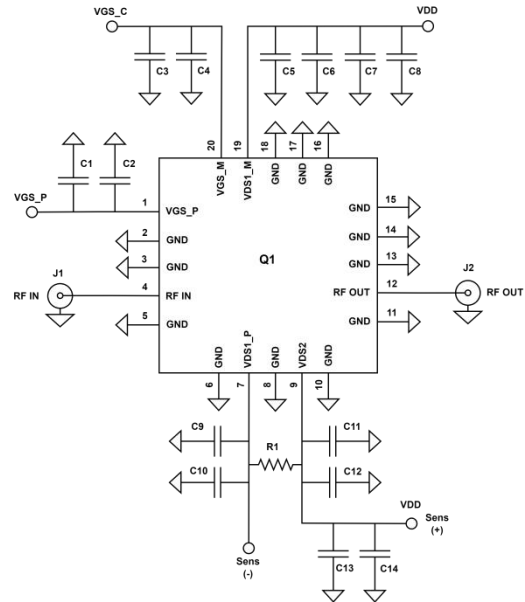
Thermal Information

Parameter	Condition	Value (Typ)	Unit
Thermal Resistance Junction to Case (R_{TH})	$T_{CASE} = 80^{\circ}C$, 1C-WCDMA 5MHz Signal, 7.2 dB PAR, $PAVG = 31 dBm$	9	$^{\circ}C / W$

H8G2527M10P 2.5 - 2.7 GHz Reference Design (47 x47 mm)



EVN Layout

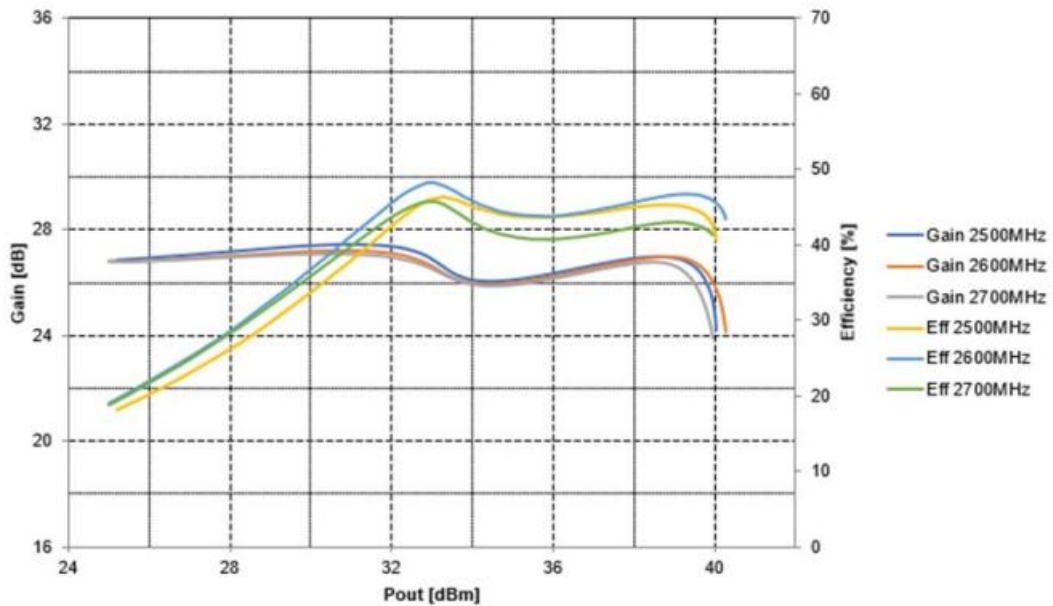


EVN Schematic

Bill of Materials (BoM) - H8G2527M10P 2.5 - 2.7 GHz Reference Design

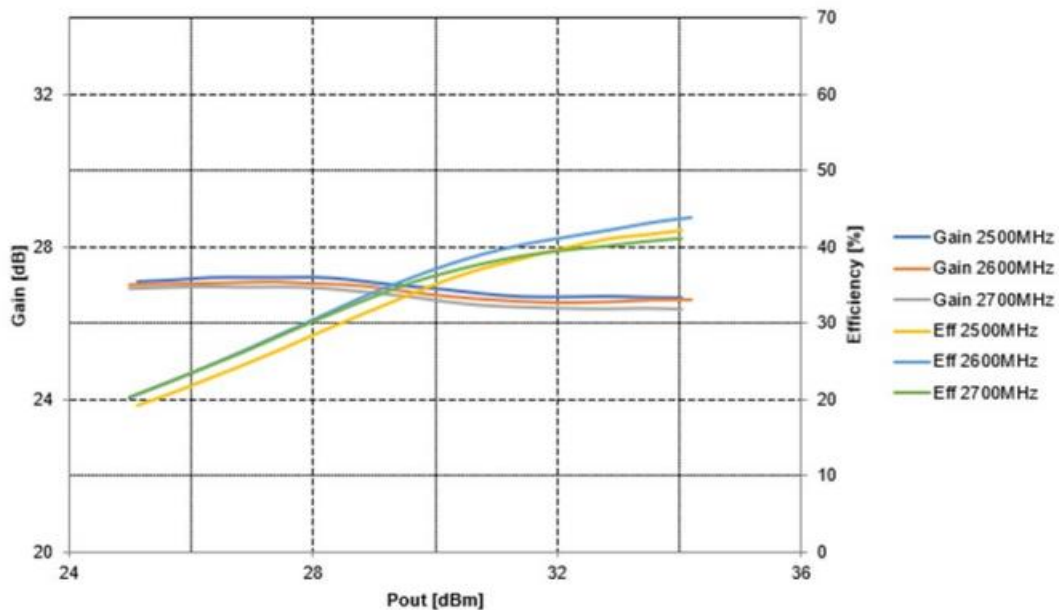
Reference	Value	Description	Manufacturer	P/N
Q1	-	10W, 2.5 - 2.7 GHz LDMOS MMIC PA	Watech	H8G2527M10P
C7,C8, C13,C14	1uF ±10%, 0805	Multi-Layer Ceramic Capacitor	Murata	GRM219R7YA105KA12
C1-C6, C9 - C12	1uF ±10%, 0603	Multi-Layer Ceramic Capacitor	Murata	GCM188R71E105KA64D
R1	100mΩ/1W, 0.1%	High-Precision Resistor	Vishay	Y44870R10000B0R
PCB	<ul style="list-style-type: none"> Rogers 4350B, er = 3.66; Thickness= 20 mil (0.508 mm); Thickness copper plating = 35 μm (1oz) Soldered on a 47x47x10 mm Copper Base-Plate 			

Performance Plots



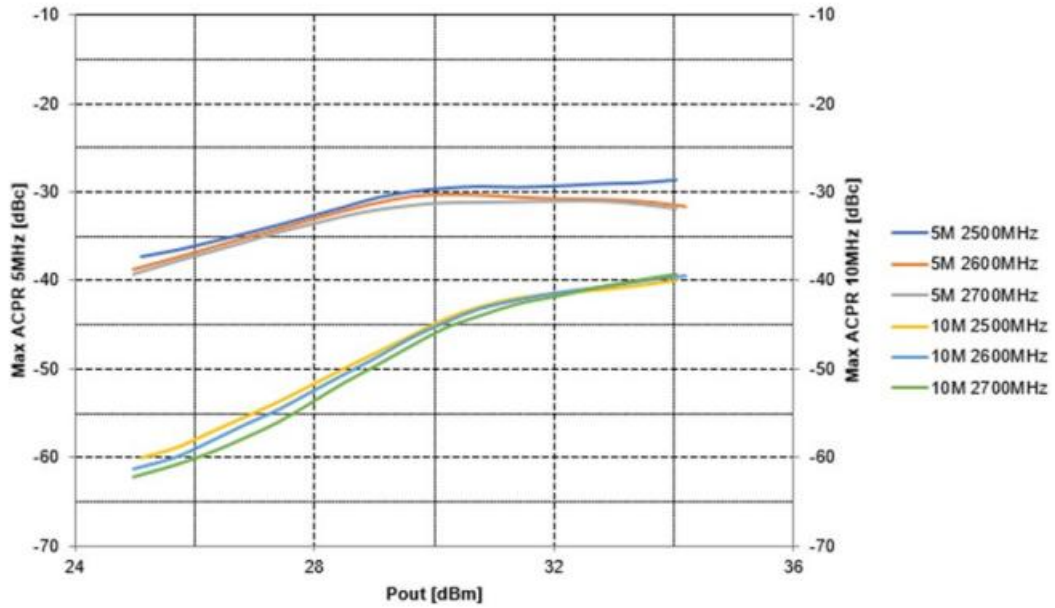
Pulsed CW, Gain and Efficiency vs Pout

Test conditions unless otherwise noted: 25 °C, VDD = +28Vdc, IDQ = 28mA, Vgsp = Vgsm-0.58V, Pulse Width = 100 us, Duty Cycle = 10% test on WATECH Application Board



WCDMA, Gain and Efficiency vs Pout

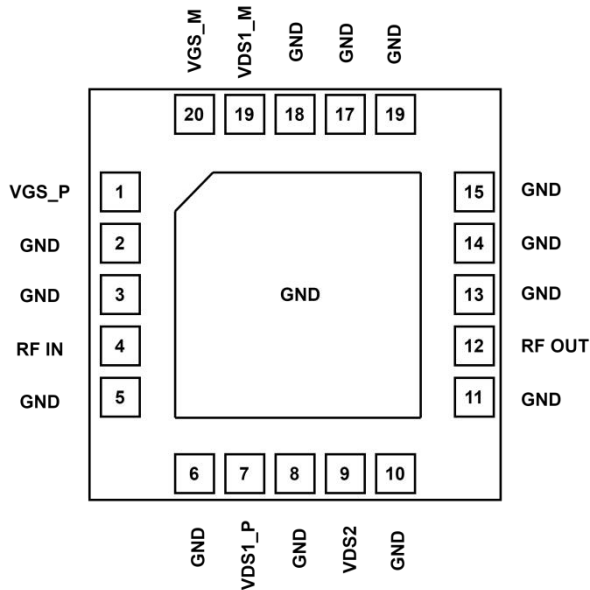
Test conditions unless otherwise noted: 25 °C, VDD = +28Vdc, IDQ = 28mA, Vgsp = Vgsm-0.58V, 1C-WCDMA 5MHz Signal, 7.2 dB PAR @ 0.01% CCDF test on WATECH Application Board



WCDMA, ACPR_5MHz, ACPR_10MHz vs Pout

Test conditions unless otherwise noted: 25 °C, VDD=+28Vdc, IDQ = 28mA, Vgsp = Vgsm-0.58V, 1C-WCDMA 5MHz Signal, 7.2 dB PAR @ 0.01% CCDF test on WATECH Application Board

Pin Configuration and Description



15	GND	Ground
16	GND	Ground
17	GND	Ground
18	GND	Ground
19	VDS1_M	Drain-Source Voltage Main Driver
20	VGS_M	Gate-Source Voltage Main

Pinout Device Configuration

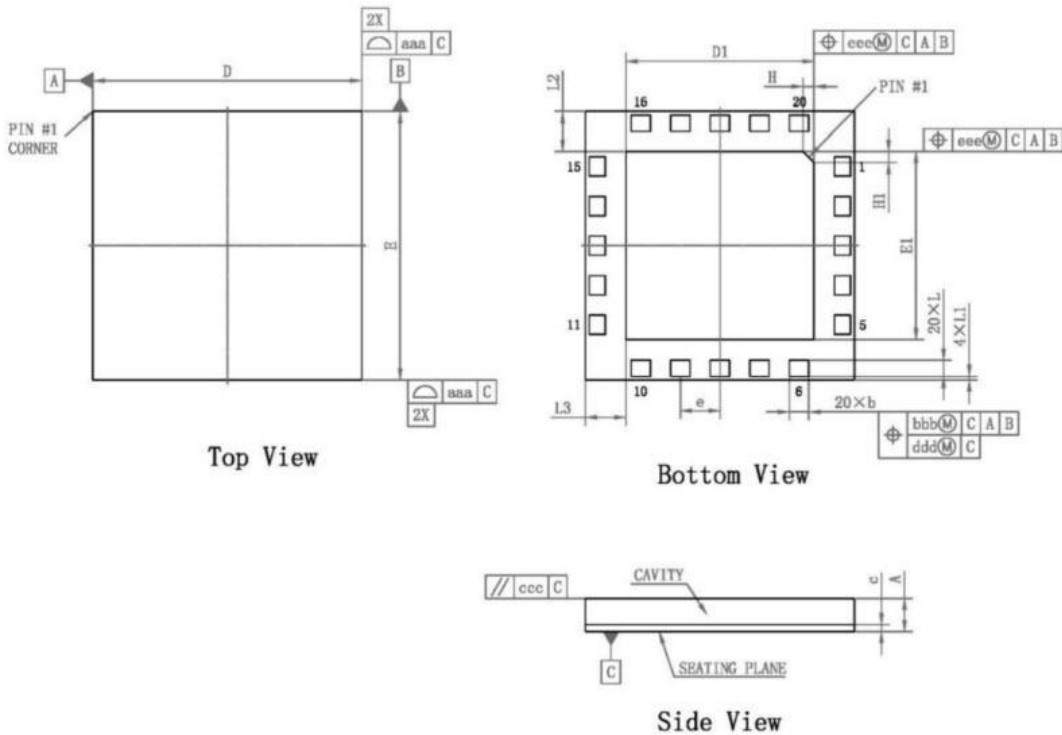
Pin Number	Label	Description
1	VGS_P	Gate-Source Voltage Peak
2	GND	Ground
3	GND	Ground
4	RFIN	RF Input
5	GND	Ground
6	GND	Ground
7	VDS1_P	Drain-Source Voltage Peak Driver
8	GND	Ground
9	VDS2	Drain-Source Voltage Final Stage
10	GND	Ground
11	GND	Ground
12	RFOUT	RF Output
13	GND	Ground
14	GND	Ground

Package Marking and Dimensions



- Line1 (fixed): Device name in W/O
- Line2 (unfixed): Marking Lot No in W/O (Sample: E596-20140001)
- Line3 (unfixed): Date Code + JY
- This Marking SPEC only stipulates the content of Marking. For marking requirements such as font and size, please refer to the latest version of “Watech Product Printing Specification”

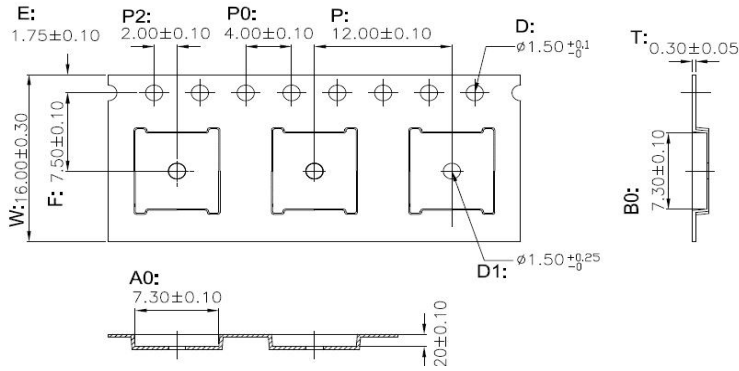
Marking



symbol	Dimension in mm			Dimension in inch		
	MIN	NOM	MAX	MIN	NOM	MAX
A	0.760	0.860	0.960	0.030	0.034	0.038
c	0.150	0.180	0.210	0.006	0.007	0.008
D	6.900	7.000	7.100	0.272	0.276	0.280
E	6.900	7.000	7.100	0.272	0.276	0.280
D1	4.800	4.900	5.000	0.189	0.193	0.197
E1	4.800	4.900	5.000	0.189	0.193	0.197
H	—	0.286	—	—	0.011	—
H1	—	0.286	—	—	0.011	—
L	0.370	0.420	0.470	0.015	0.017	0.019
L1	0.025	0.100	0.175	0.001	0.004	0.007
L2	0.975	1.050	1.125	0.038	0.041	0.044
L3	0.975	1.050	1.125	0.038	0.041	0.044
e	—	1.030	—	—	0.041	—
b	0.450	0.500	0.550	0.018	0.020	0.022
aaa	—	0.150	—	—	0.006	—
bbb	—	0.150	—	—	0.006	—
ccc	—	0.100	—	—	0.004	—
ddd	—	0.080	—	—	0.003	—
eee	—	0.150	—	—	0.006	—

Package Dimensions

Tape and Reel Information



Notes:

1. Carrier tape color: BLACK.
2. Carrier material :PS (Polystyrene).
3. ESD surface resistivity <math>< 1 \times 10^{11}</math> - 4. Heat deflection temperature for Tape & Reel material: 62°C
- 5. Vicat softening temperature (10N) for Tape & Reel material: 95°C
- 6. Dimension is millimeter.



Tape & Reel Packaging Descriptions

Handling Precautions

Parameter	Grade
Moisture Sensitivity Level MSL	3

Parameter	Rating	Standard	
ESD – Human Body Model (HBM)	Class 1B	JESD22-A114	
ESD – Human Body Model (MM)	Class A	EIA/JESD22-A115	
ESD – Charged Device Model (CDM)	Class III	JESD22-C101	

RoHS Compliance

This product is compliant with the 2011/65/EU RoHS directive (Restrictions on the Use of Certain Hazardous Substances in Electrical and Electronic Equipment), as amended by Directive

Datasheet Status

Document status	Product status	Definition
Objective Datasheet	Design simulation	Product objective specification
Preliminary Datasheet	Customer sample	Engineering samples and first test results
Product Datasheet	Mass production	Final product specification

Abbreviations

Acronym	Definition
LDMOS	Laterally-Diffused Metal-Oxide Semiconductor
CW	Continuous Waveform
VSWR	Voltage Standing Wave Ratio

Revision history

Document ID	Datasheet Status	Release Date	Revision Version
Rev 3.0	Product	May 2020	Product release
Rev 3.1	Product	March 2023	New format based on English version datasheet



H8G2527M10P

10W, 2.5 - 2.7 GHz LDMOS MMIC Amplifier

Product datasheet

Contact Information

For the latest specifications, additional product information, worldwide sales and distribution locations and information about WATECH:

- Web: www.watechelectronics.com
- Email: MKT@huatai-elec.com

For technical questions and application information:

- Email: MKT@huatai-elec.com

Important Notice

Information in this document is believed to be accurate and reliable. However, WATECH does not give any representations or warranties, expressed or implied, as to the accuracy or completeness of such information and shall have no liability for the consequences of use of such information.

“Typical” parameters are the average values expected by WATECH in large quantities and are provided for information purposes only. All information and specifications contained herein are subject to change without notice and customers should obtain and verify the latest relevant information before placing orders for WATECH products.

The information contained herein or any use of such information does not grant, explicitly or implicitly, to any party any patent rights, licenses, or any other intellectual property rights, whether with regard to such information itself or anything described by such information.

Applications that are described herein for any of these products are for illustrative purposes only. WATECH makes no representation or warranty that such applications will be suitable for the specified use without further testing or modification. Customers are responsible for the design and operation of their applications and products using WATECH products, and WATECH accepts no liability for any assistance with applications or customer product design. It is customer's sole responsibility to determine whether the WATECH product is suitable and fit for the customer's applications and products planned, as well as for the planned application and use of customer's third-party customer(s). Customers should provide appropriate design and operating safeguards to minimize the risks associated with their applications and products.

WATECH products are not designed, authorized or warranted to be suitable for use in life support, life-critical or safety-critical systems or equipment, nor in applications where failure or malfunction of a WATECH product can reasonably be expected to result in personal injury, death or severe property or environmental damage. This document as well as the item(s) described herein may be subject to export control regulations. Export might require a prior authorization from competent authorities.